

TEAC SCHEMATIC DIAGRAM DV-50 DVDM PCB (1/4)

1 2 3 4 5 6 7 8

A

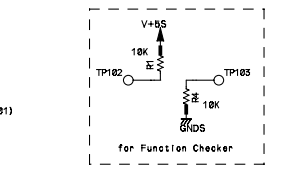
B

C

D

E

DVDM PCB 1/4

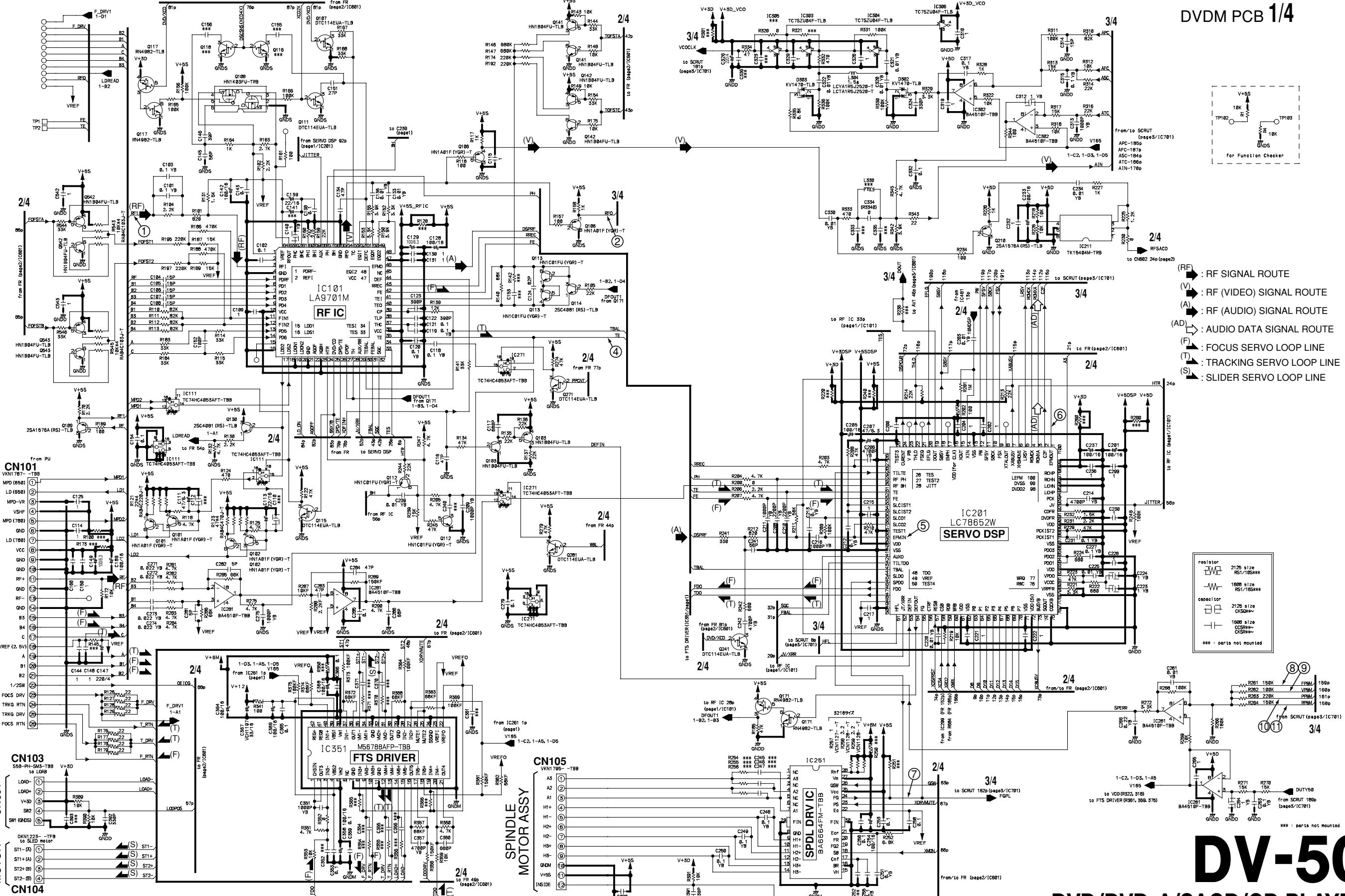


- (RF) : RF SIGNAL ROUTE
- (V) : RF (VIDEO) SIGNAL ROUTE
- (A) : RF (AUDIO) SIGNAL ROUTE
- (AD) : AUDIO DATA SIGNAL ROUTE
- (F) : FOCUS SERVO LOOP LINE
- (T) : TRACKING SERVO LOOP LINE
- (S) : SLIDER SERVO LOOP LINE

PICKUP ASSY
CN101

CARRIAGE LOAB ASSY
MOTOR
CN104

SPINDLE
MOTOR ASSY
CN105



DV-50

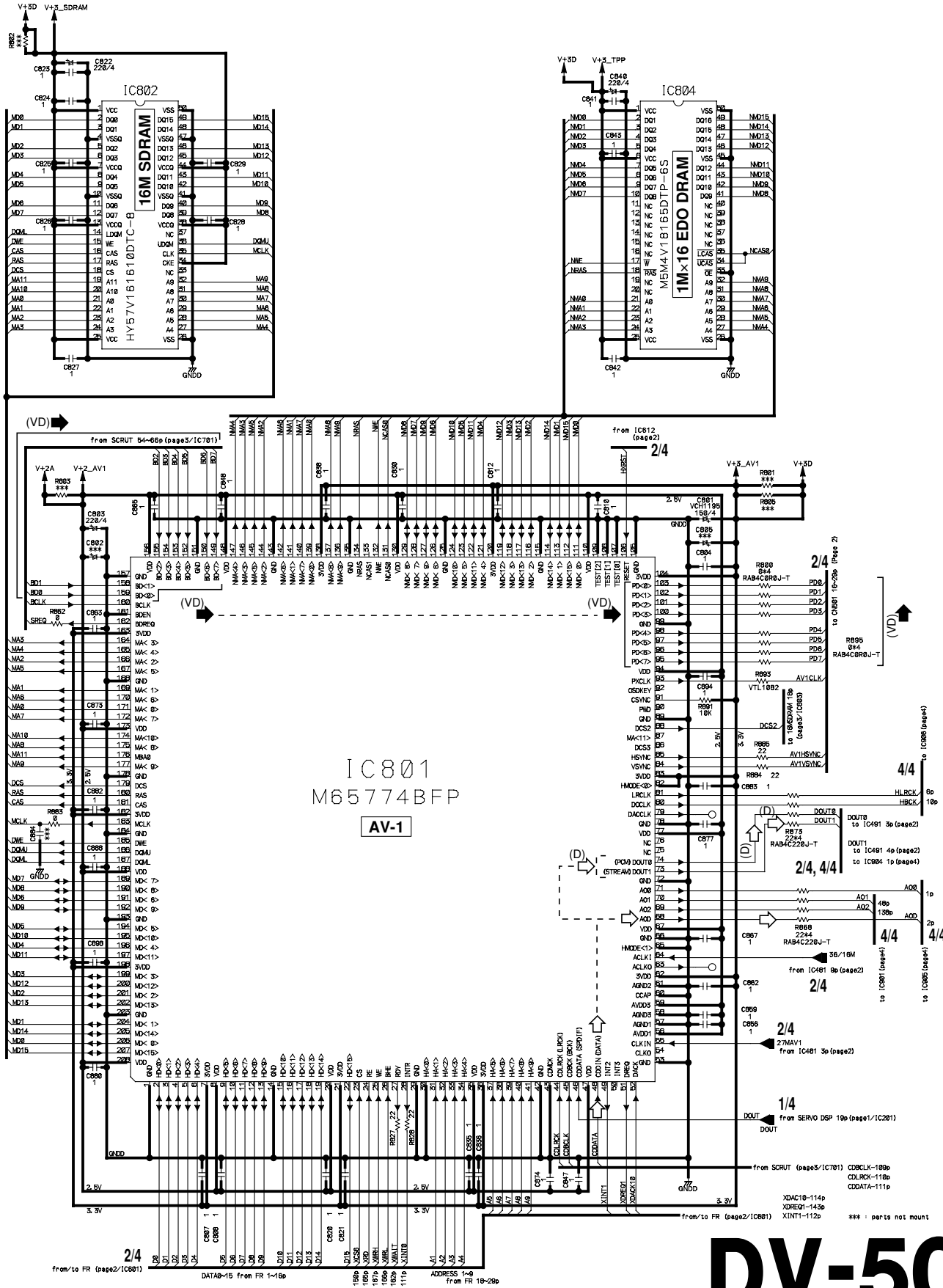
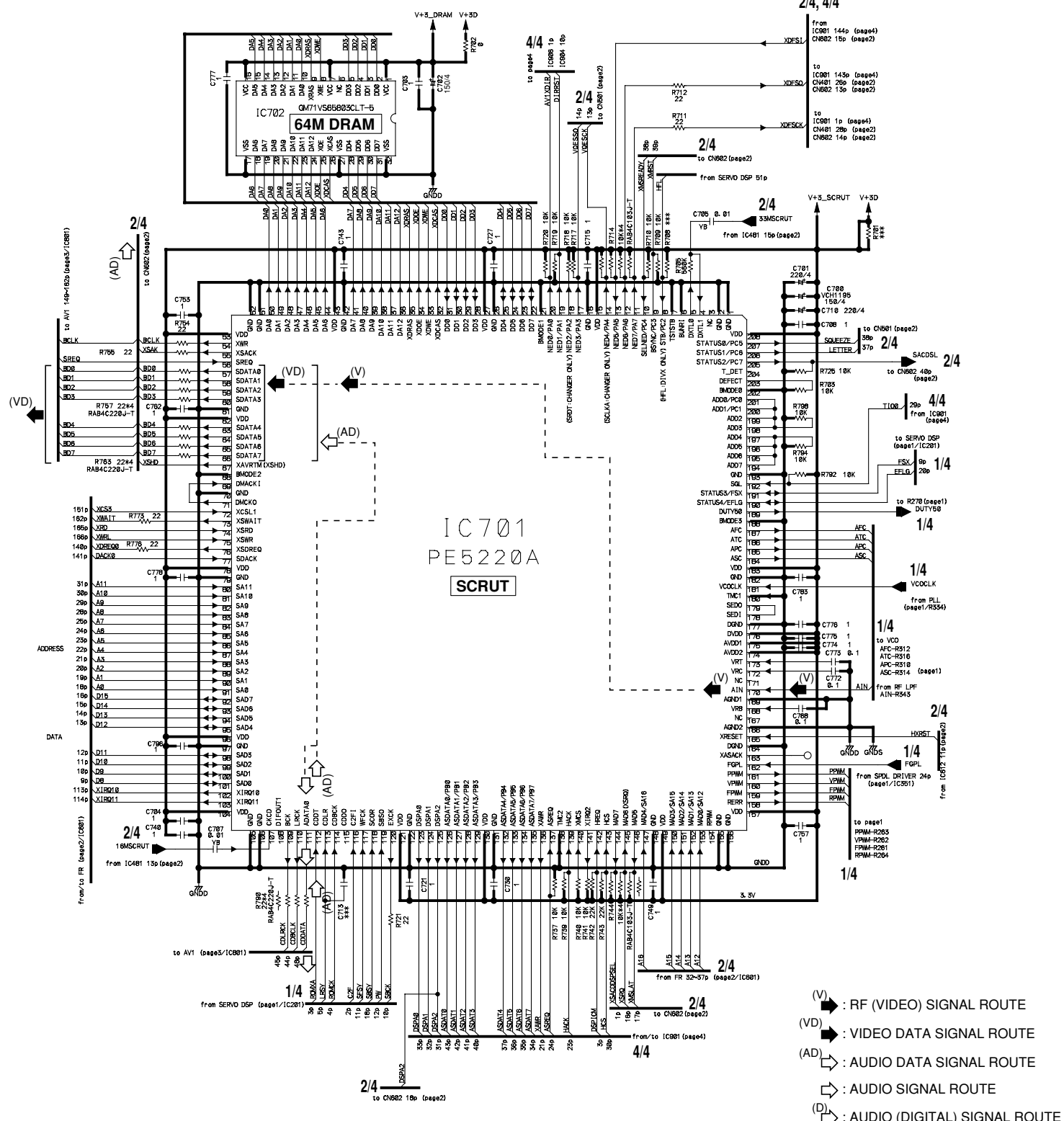
DVD/DVD-A/SACD/CD PLAYER

1st Issue; July 2003

1 2 3 4 5 6 7 8

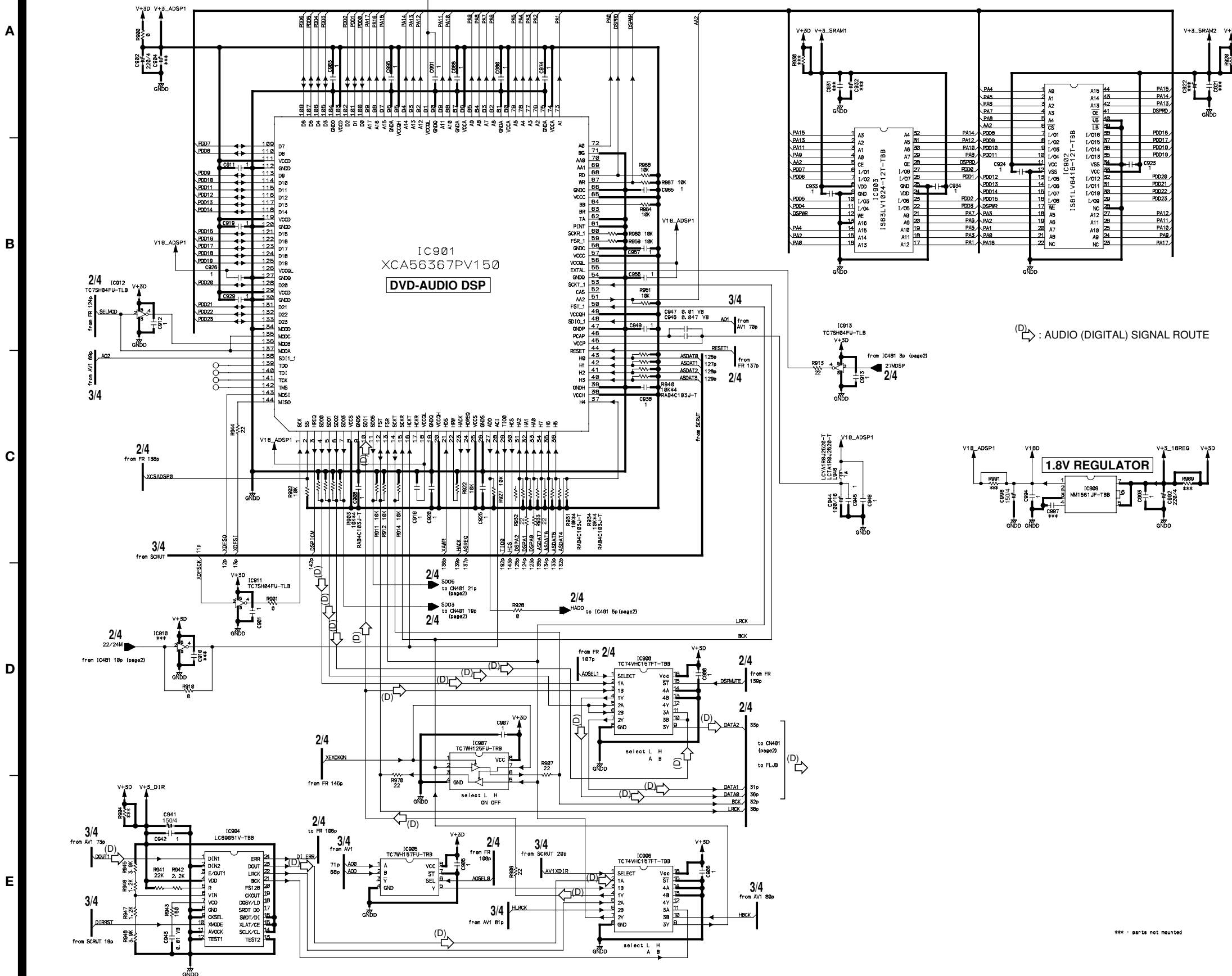
DVDM PCB 3/4

A
B
C
D
E

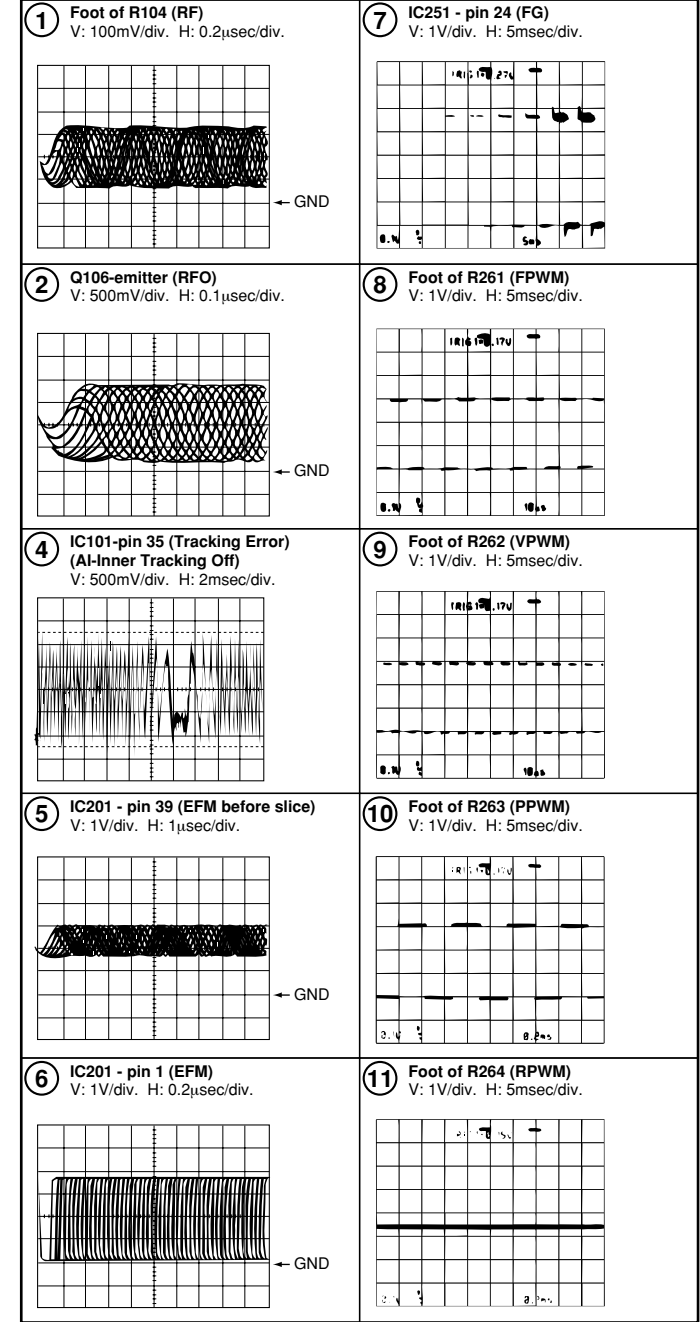


- (V) RF (VIDEO) SIGNAL ROUTE
- (VD) VIDEO DATA SIGNAL ROUTE
- (AD) AUDIO DATA SIGNAL ROUTE
- (D) AUDIO (DIGITAL) SIGNAL ROUTE

DVDM PCB 4/4

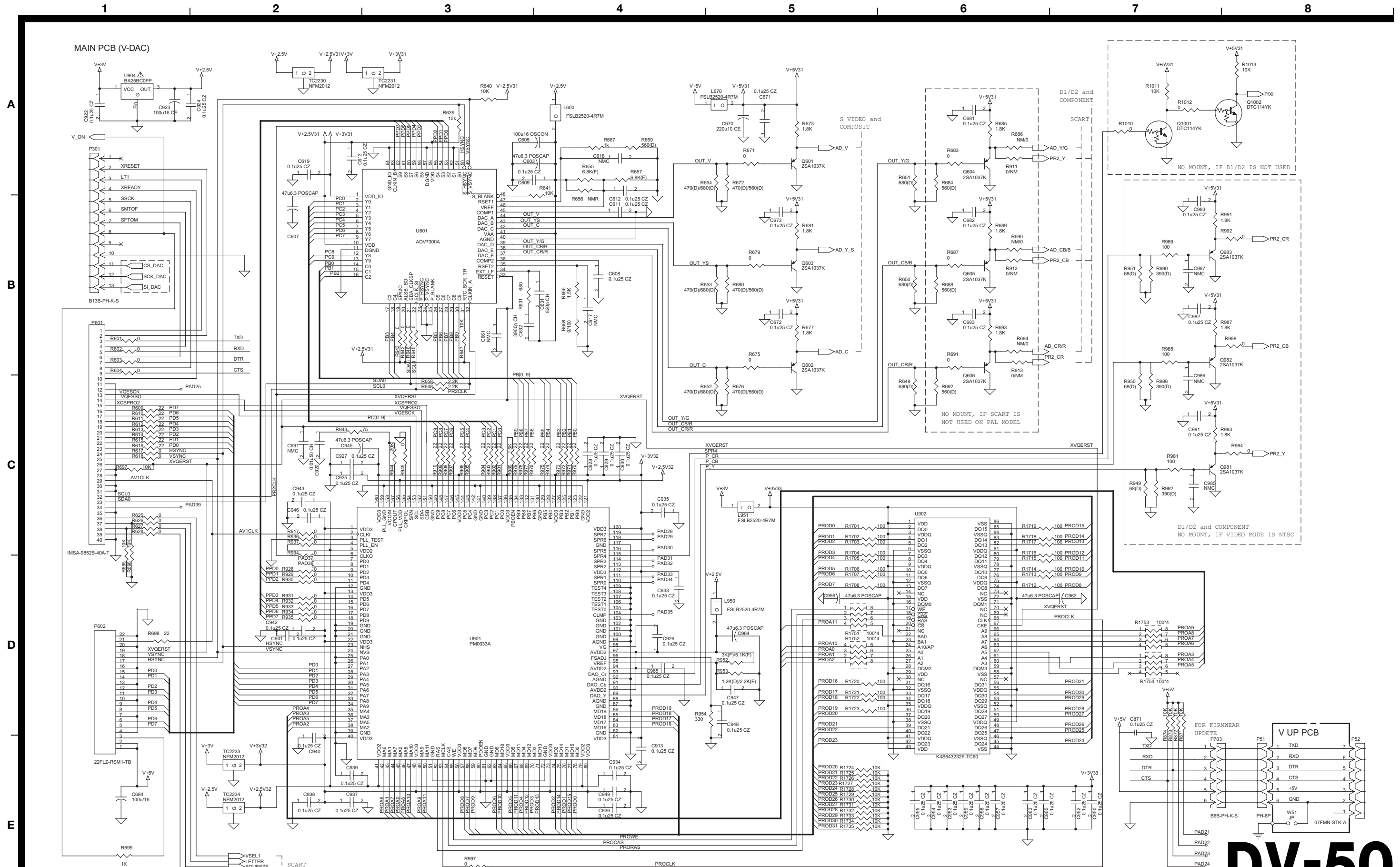


Measurement condition: No. 1 to 4 and 6 to 11: MJK1, Title 1-chp 1
No. 5 : CD, ABEX-784 Track 1



Note : The encircled numbers denote measuring point in the schematic diagram.
注意 : ○で囲まれた数字は回路図の各測定ポイントの番号を示します。

TEAC SCHEMATIC DIAGRAM DV-50 MAIN PCB (1/5), V UP PCB



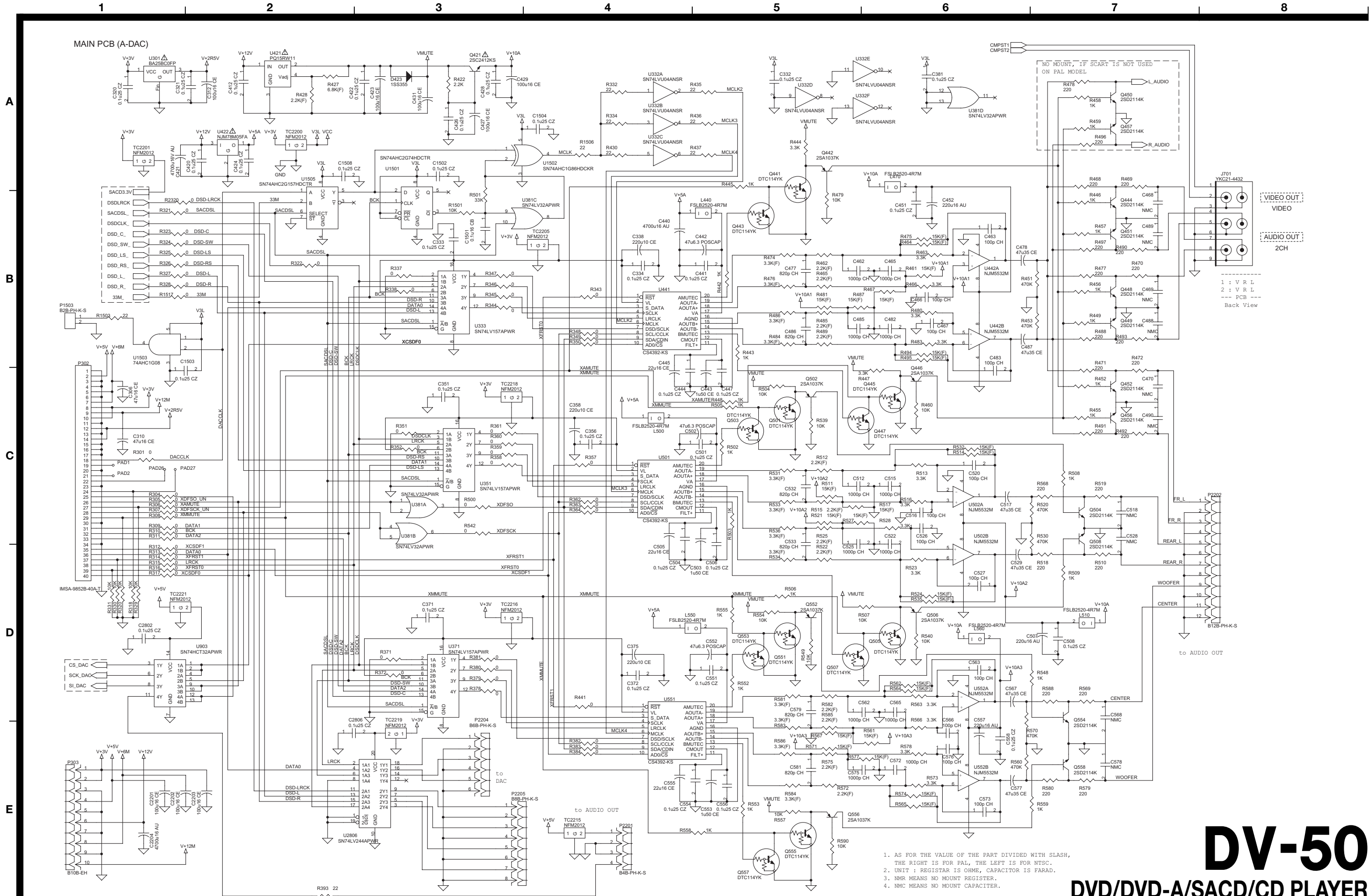
1. AS FOR THE VALUE OF THE PART DIVIDED WITH SLASH, THE RIGHT IS FOR PAL, THE LEFT IS FOR NTSC.
2. UNIT : REGISTAR IS OHME, CAPACITOR IS FARAD.
3. NMR MEANS NO MOUNT REGISTER.
4. NMC MEANS NO MOUNT CAPACITOR.

DV-50

DVD/DVD-A/SACD/CD PLAYER

1st Issue; July 2003

TEAC SCHEMATIC DIAGRAM DV-50 MAIN PCB (2/5)



DV-50

DVD/DVD-A/SACD/CD PLAYER

1st Issue; July 2003

1. AS FOR THE VALUE OF THE PART DIVIDED WITH SLASH, THE RIGHT IS FOR PAL, THE LEFT IS FOR NTSC.
2. UNIT : REGISTER IS OHM, CAPACITOR IS FARAD.
3. NMR MEANS NO MOUNT REGISTER.
4. NMC MEANS NO MOUNT CAPACITER.

TEAC SCHEMATIC DIAGRAM DV-50 MAIN PCB (4/5)

1 2 3 4 5 6 7 8

A

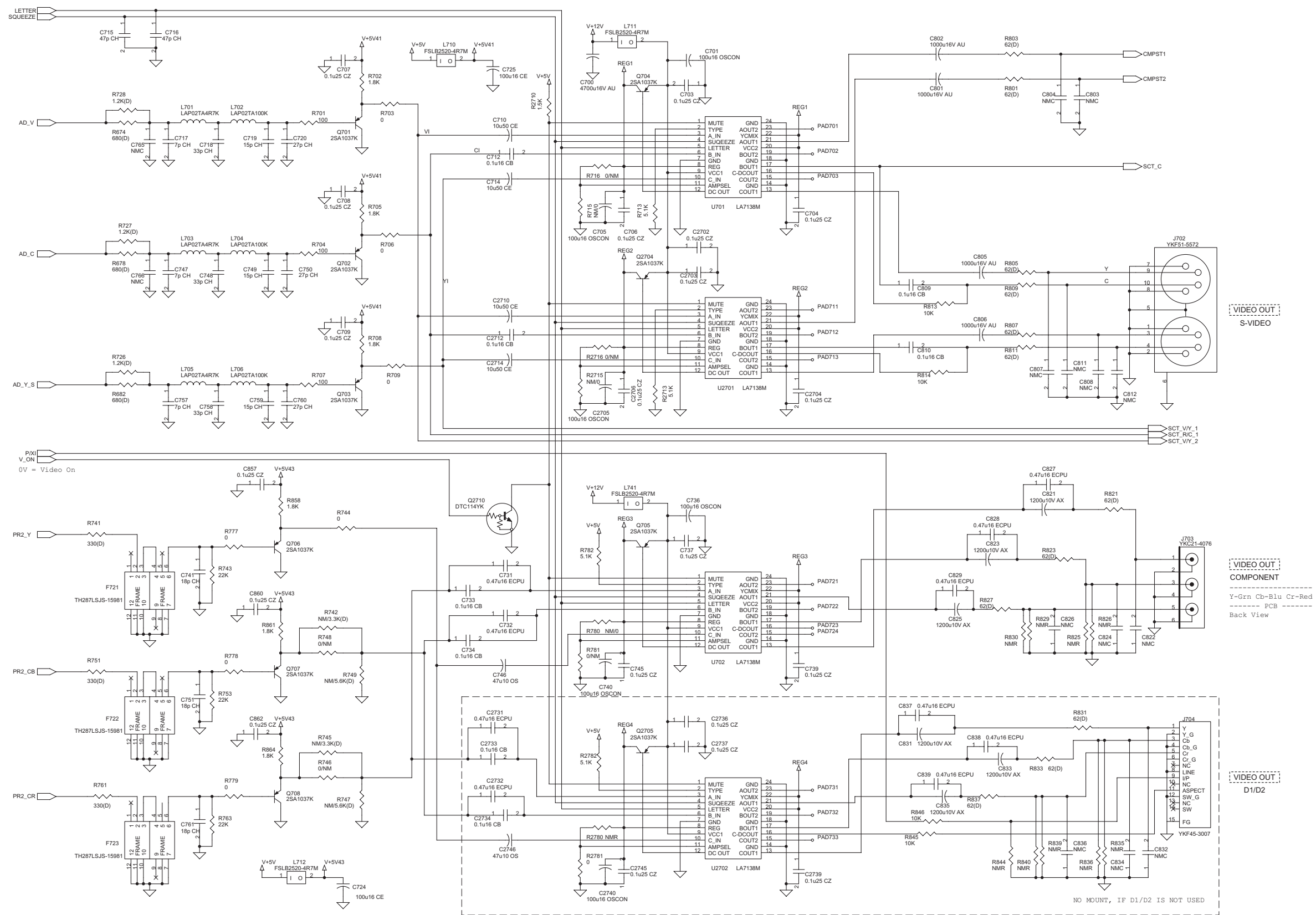
B

C

D

E

MAIN PCB (V-OUT)



1. AS FOR THE VALUE OF THE PART DIVIDED WITH SLASH, THE RIGHT IS FOR PAL, THE LEFT IS FOR NTSC.
2. UNIT : REGISTAR IS OHME, CAPACITOR IS FARAD.
3. NMR MEANS NO MOUNT REGISTER.
4. NMC MEANS NO MOUNT CAPACITER.

DV-50

DVD/DVD-A/SACD/CD PLAYER

1st Issue; July 2003

TEAC SCHEMATIC DIAGRAM DV-50 MAIN PCB (5/5), OUTPUT PCB

1 2 3 4 5 6 7 8

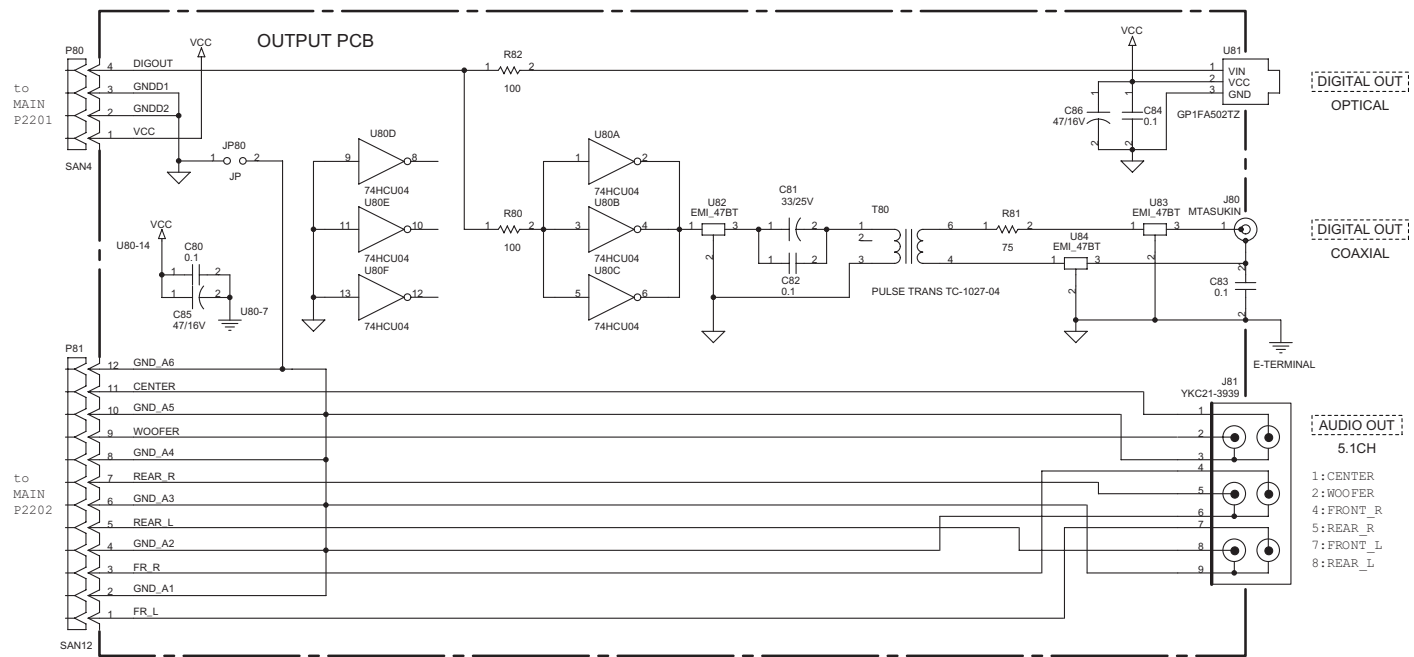
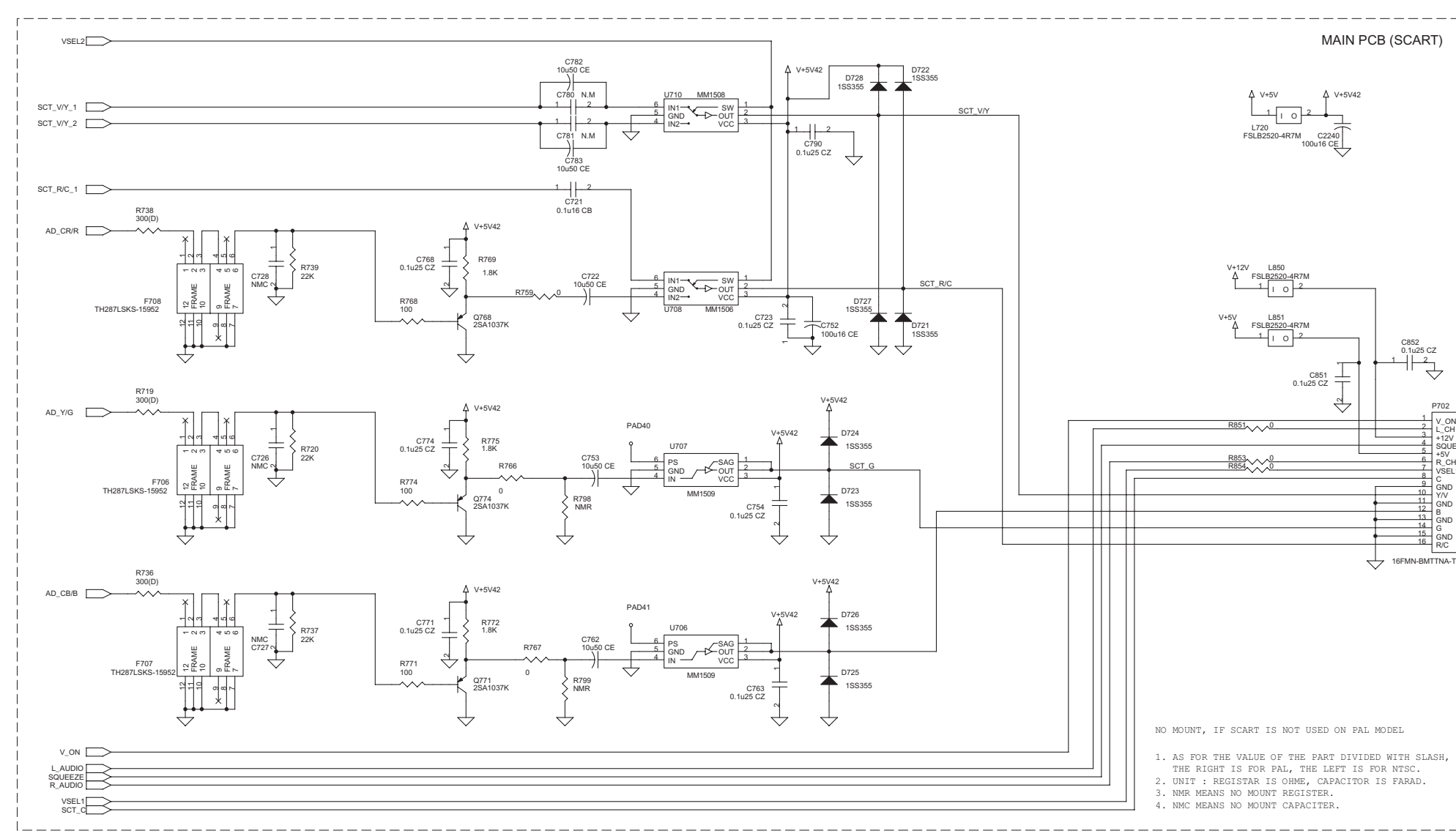
A

B

C

D

E



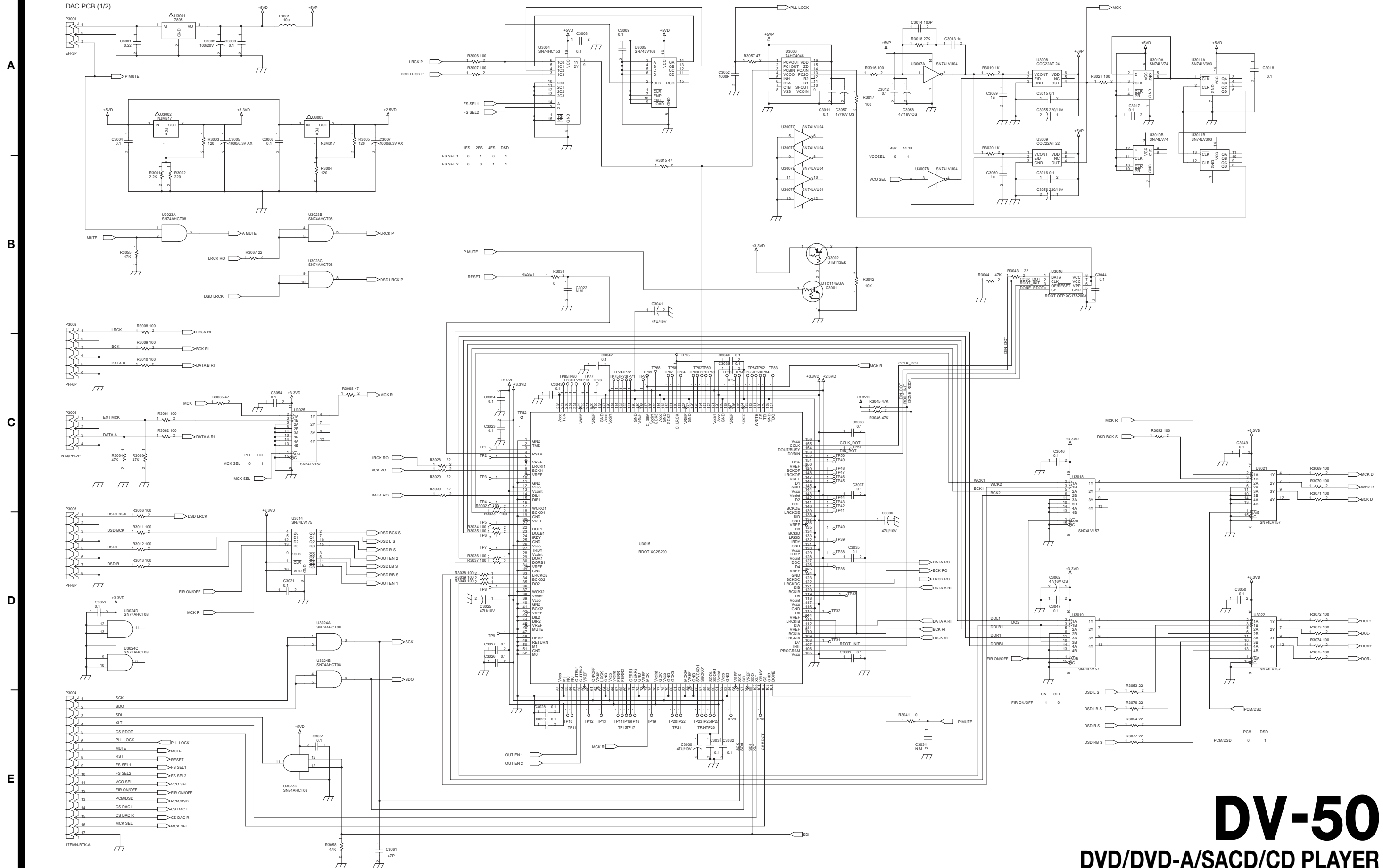
DV-50

DVD/DVD-A/SACD/CD PLAYER

1st Issue; July 2003

TEAC SCHEMATIC DIAGRAM DV-50 DAC PCB (1/2)

1 2 3 4 5 6 7 8



DV-50

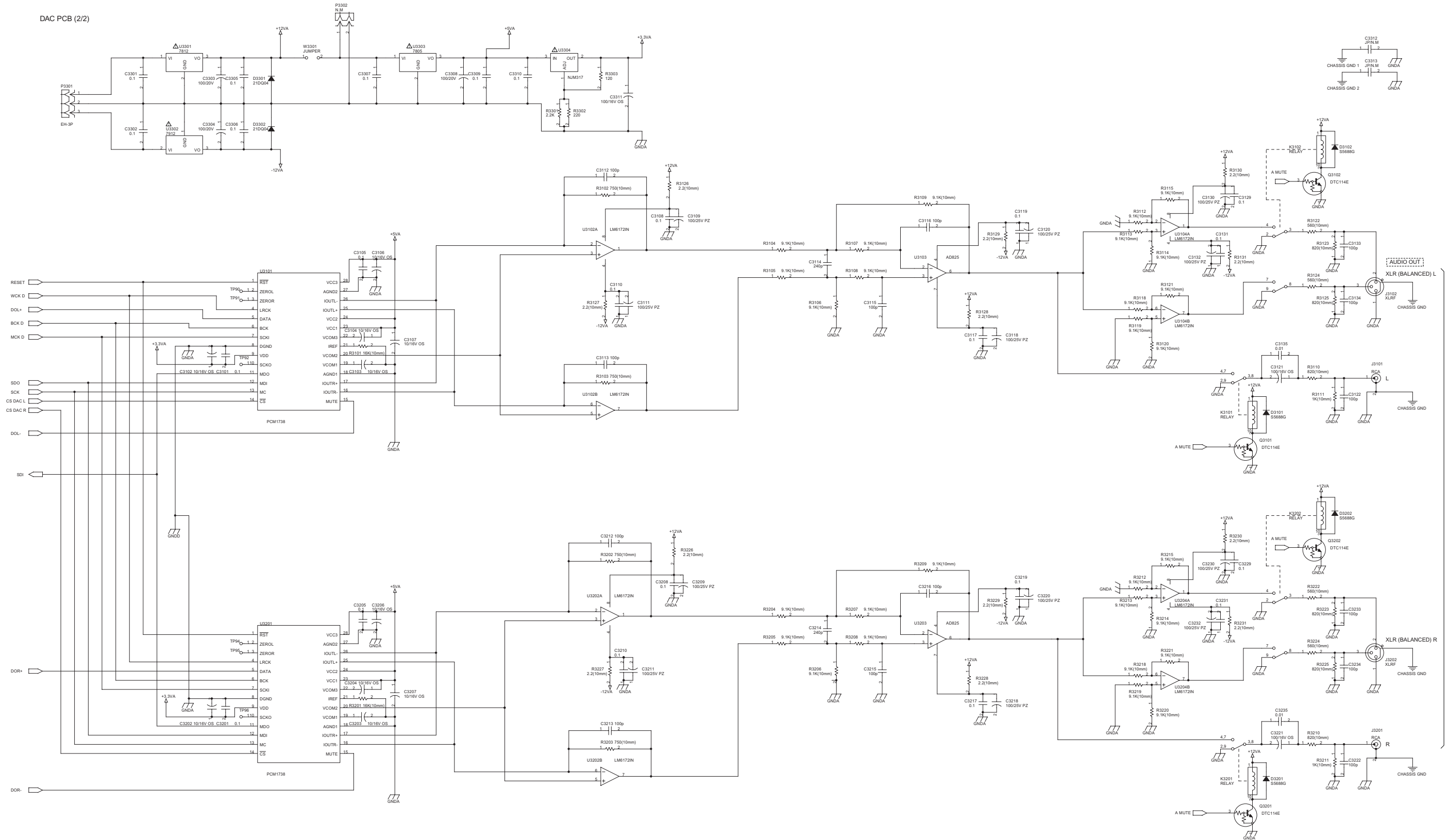
DVD/DVD-A/SACD/CD PLAYER

1st Issue; July 2003

TEAC SCHEMATIC DIAGRAM DV-50 DAC PCB (2/2)

1 2 3 4 5 6 7 8

A
B
C
D
E



DV-50
DVD/DVD-A/SACD/CD PLAYER
 1st Issue; July 2003

TEAC SCHEMATIC DIAGRAM DV-50 SCART PCB

1 2 3 4 5 6 7 8

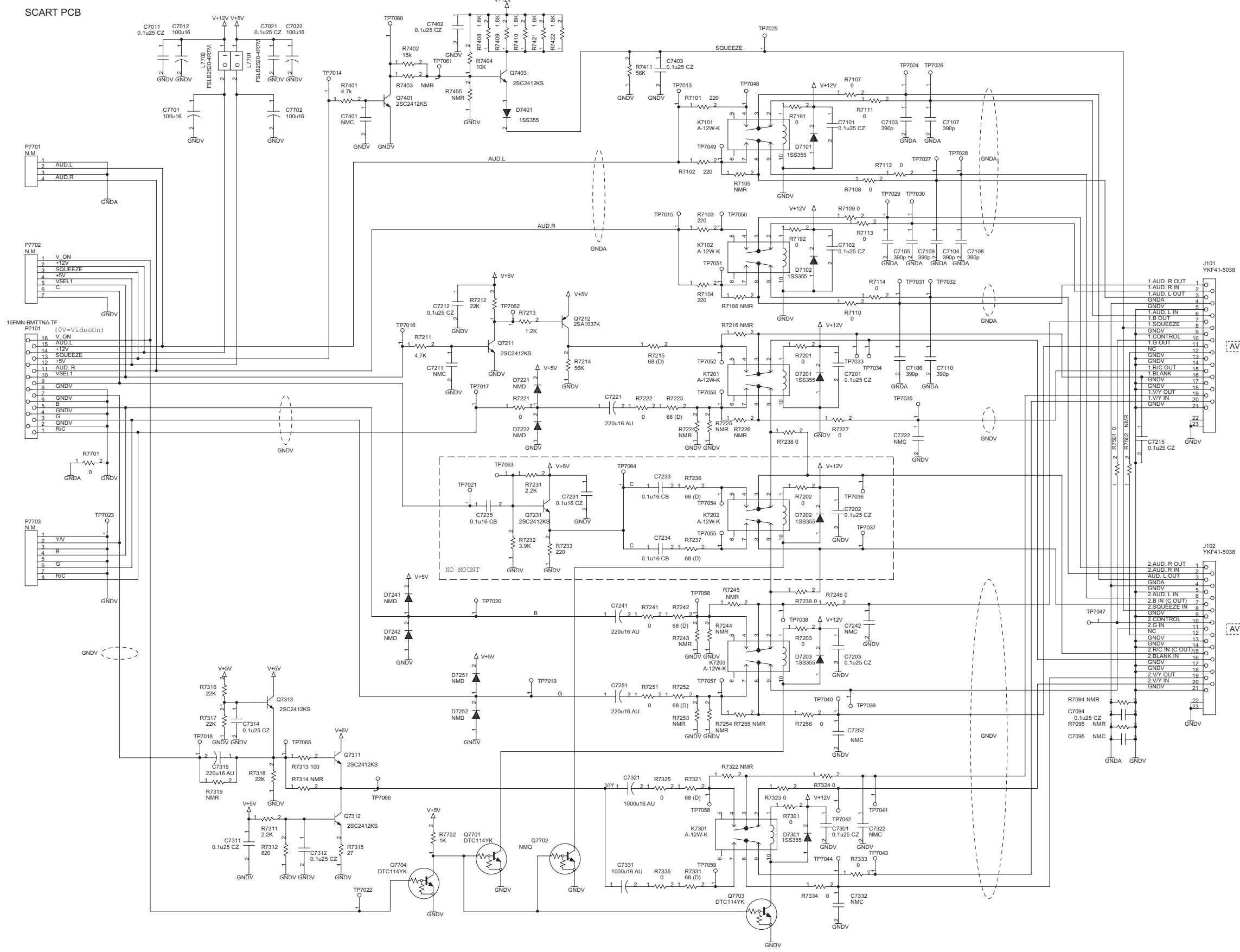
A

B

C

D

E

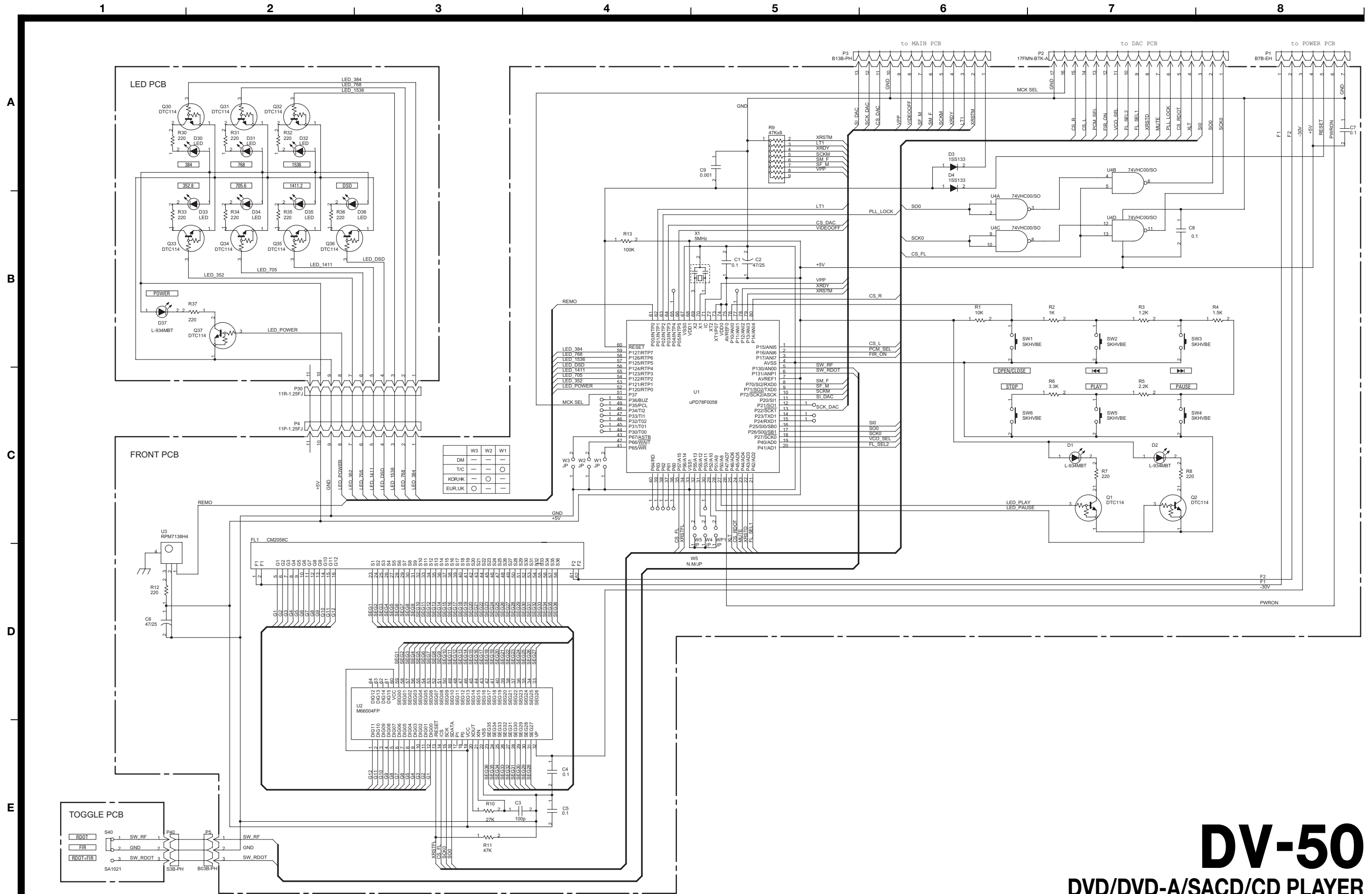


DV-50

DVD/DVD-A/SACD/CD PLAYER

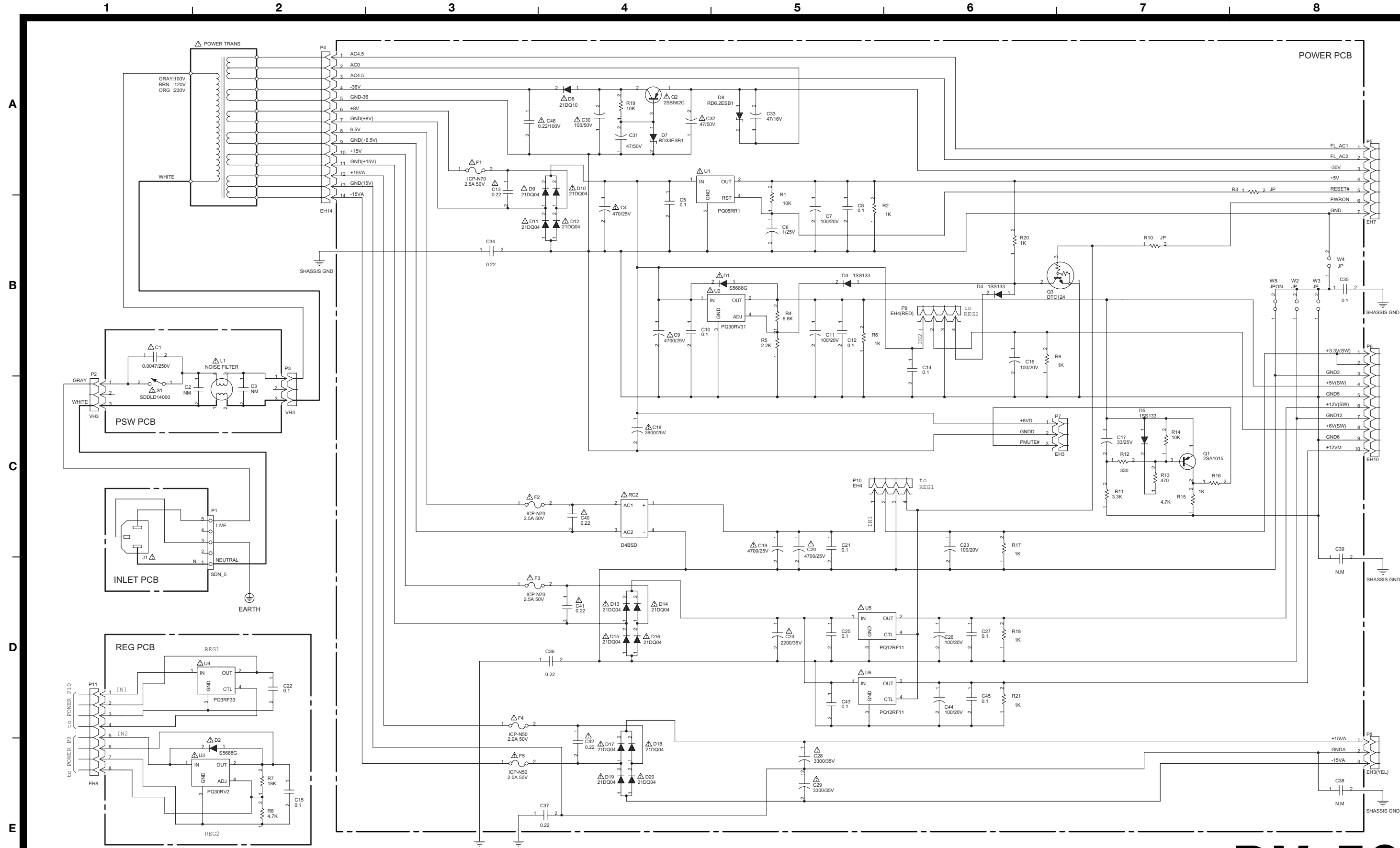
1st Issue; July 2003

TEAC SCHEMATIC DIAGRAM DV-50 FRONT PCB, LED PCB, TOGGLE PCB



DV-50
DVD/DVD-A/SACD/CD PLAYER
 1st Issue; July 2003

TEAC SCHEMATIC DIAGRAM DV-50 POWER PCB, REG PCB, PSW PCB, INLET PCB



INSTRUCTIONS FOR SERVICE PERSONNEL
BEFORE RETURNING APPLIANCE TO THE CUSTOMER, MAKE LEAKAGE-CURRENT OR RESISTANCE MEASUREMENTS TO DETERMINE THAT EXPOSED PARTS ARE ACCEPTABLY INSULATED FROM THE SUPPLY CIRCUIT.

NOTES:
 1. Resistor values are in ohms (k=kilo-ohms, M=megohms).
 2. Capacitor values are in microfarads (p=picofarads).
 3. Δ Parts marked with this sign are safety critical components. They must always be replaced with identical components-refer to the appropriate parts list and ensure exact replacement.

注意
 1. 抵抗の単位は Ω (k=k Ω , M=M Ω) です。
 2. コンデンサの単位は μF (p=pF) です。
 3. Δ マークのある部品は安全規格重要部品です。交換するときは必ずテック指定の部品を使用してください。

DV-50

DVD/DVD-A/SACD/CD PLAYER

1st Issue; July 2003